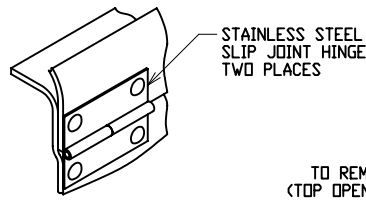
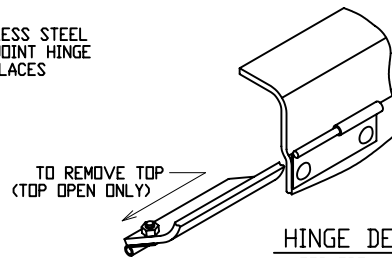


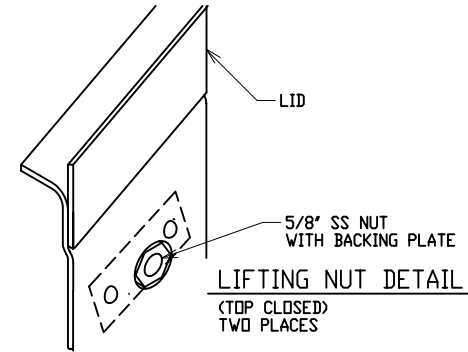
LATCH DETAIL



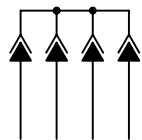
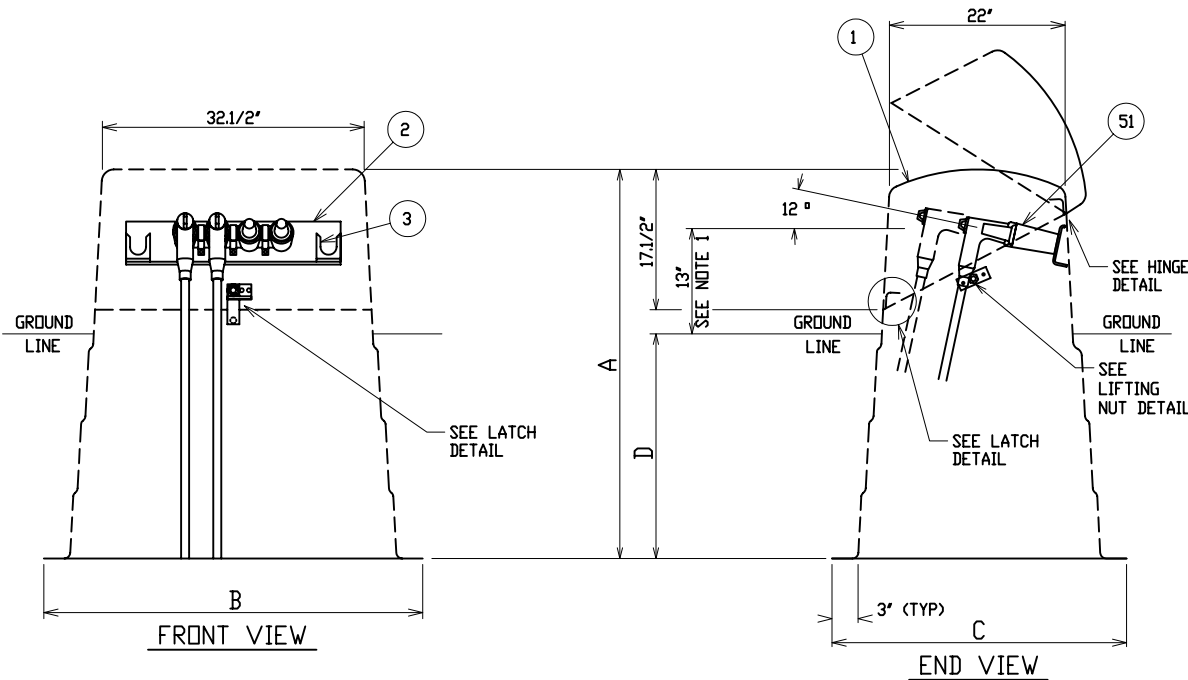
HINGE DETAIL
(TOP CLOSED)



HINGE DETAIL
(TOP OPEN)



LIFTING NUT DETAIL
(TOP CLOSED)
TWO PLACES



SCHEMATIC

| MODEL No. | OVERALL HEIGHT | OVERALL WIDTH AT BOTTOM | OVERALL DEPTH AT BOTTOM | MAXIMUM RECOMMENDED BURIAL DEPTH SEE NOTE 1 |
|-----------|----------------|-------------------------|-------------------------|---|
| | A | B | C | D |
| CJP-10-33 | 33' | 44.1/2' | 34' | 13' |
| CJP-10-39 | 39' | 45.1/4' | 34.3/4' | 19' |
| CJP-10-49 | 49' | 47.1/4' | 36.3/4' | 29' |
| CJP-10-54 | 54' | 48.3/4' | 38.1/4' | 34' |

| MATERIAL LIST - STANDARD UNIT | |
|-------------------------------|---|
| ITEM | DESCRIPTION |
| 1 | POWER DESIGN INC MODEL NO CJP-10 FIBERGLASS CABLE JUNCTION PEDESTAL - MUNSELL GREEN |
| 2 | STAINLESS STEEL JUNCTION MOUNTING BAR |
| 3 | STAINLESS STEEL PARKING CLIPS |

| OPTIONAL EQUIPMENT | |
|--------------------|---|
| 51 | 200 AMP LOADBREAK JUNCTION - SPECIFY MANUFACTURER, VOLTAGE AND 2, 3, OR 4-WAY |

ORDERING INFORMATION:

USER SHOULD SELECT 'D', BURIAL DEPTH, DESIRED. SPECIFY 'A', OVERALL HEIGHT, AS A SUFFIX TO THE BASIC PART NO. I.e.; CJP-10-49 = 49" OVERALL HEIGHT
13" TERMINAL HEIGHT MAY BE INCREASED BY DECREASING BURIAL DEPTH OR ORDERING THE NEXT SIZE GREATER 'A' DIMENSION.

NOTE:

- MATERIAL:
 - FIBERGLASS LAMINATE 3/16" NOMINAL THICKNESS
 - EXTERIOR UV STABILIZED GELCOAT - 14 MIL NOMINAL THICKNESS - WHITE INTERIOR
 - FIRE RETARDANT - DOES NOT SUPPORT COMBUSTION
 - STAINLESS STEEL HARDWARE
- MOUNTING BAR WILL WITHSTAND A MINIMUM 400 LB. LOADING TO INSTALL OR REMOVE ELBOWS.

DEADFRONT CABLE JUNCTION PEDESTAL

15/25KV 200 AMP 95/125KV BIL
SINGLE PHASE 2, 3, OR 4-WAY LOADBREAK JUNCTION



| | | | |
|--------------|------|-----------------|------------------------|
| DRAWN: RB | PAGE | DATE 3-29-04 | DRAWING NO. 3301-R1 |
|--------------|------|-----------------|------------------------|

FILE REF: